

# MONObox™ POLYVAULT

## Specification Guide



### MATERIAL PROPERTIES

High Density Polyethylene (HDPE)

|  |            |                               |
|--|------------|-------------------------------|
| Tensile Strength                       | ISO 527-4  | 26.2MPa                       |
| Flexural Strength                      | ISO 14125  | 26.9MPa                       |
| Flexural Modulus                       | ISO 14125  | 1.09 GPa                      |
| Impact Strength                        | ISO 179    | 28 J/mm <sup>2</sup>          |
| Deflection Temperature Range (0.46MPa) | ISO 75-2   | 72.1 °C                       |
| Density (g/cm <sup>3</sup> )           | ISO 1183   | 0.95 - 0.98 g/cm <sup>3</sup> |
| Water Absorption                       | ISO 62     | 0.01%                         |
| Volume Resistivity                     | IEC 60093  | 1.00E +16                     |
| Fire Performance                       | UL 94      | HB                            |
| Limited Oxygen Index                   | ISO 4589-2 | 19%                           |

These are indicative figures. Materials can be formulated to achieve different properties subject to specification/ customer requirements

### POLYVAULT STANDARD SIZE GUIDE

| Code | Length | Width  | Depth   |         |         |         |         |         |         | Datasheet |
|------|--------|--------|---------|---------|---------|---------|---------|---------|---------|-----------|
|      |        |        | 470mm   | 570mm   | 670mm   | 770mm   | 915mm   | 1220mm  | 1525mm  |           |
| 1824 | 610mm  | 470mm  | 1824-18 | 1824-22 | 1824-26 | 1824-30 | 1824-36 | 1824-48 | 1824-60 | DAT 0701  |
| 2424 | 610mm  | 610mm  | 2424-18 | 2424-22 | 2424-26 | 2424-30 | 2424-36 | 2424-48 | 2424-60 | DAT 0702  |
| 2436 | 910mm  | 610mm  | 2436-18 | 2436-22 | 2436-26 | 2436-30 | 2436-36 | 2436-48 | 2436-60 | DAT 0703  |
| 2448 | 1220mm | 610mm  | 2448-18 | 2448-22 | 2448-26 | 2448-30 | 2448-36 | 2448-48 | 2448-60 | DAT 0704  |
| 2454 | 1370mm | 610mm  | 2454-18 | 2454-22 | 2454-26 | 2454-30 | 2454-36 | 2454-48 | 2454-60 | DAT 0705  |
| 2460 | 1530mm | 610mm  | 2460-18 | 2460-22 | 2460-26 | 2460-30 | 2460-36 | 2460-48 | 2460-60 | DAT 0706  |
| 3636 | 910mm  | 910mm  | 3636-18 | 3636-22 | 3636-26 | 3636-30 | 3636-36 | 3636-48 | 3636-60 | DAT 0707  |
| 3648 | 1220mm | 910mm  | 3648-18 | 3648-22 | 3648-26 | 3648-30 | 3648-36 | 3648-48 | 3648-60 | DAT 0708  |
| 3660 | 1530mm | 910mm  | 3660-18 | 3660-22 | 3660-26 | 3660-30 | 3660-36 | 3660-48 | 3660-60 | DAT 0709  |
| 4848 | 1220mm | 1220mm | 4848-18 | 4848-22 | 4848-26 | 4848-30 | 4848-36 | 4848-48 | 4848-60 | DAT 0710  |
| 4860 | 1530mm | 1220mm | 4860-18 | 4860-22 | 4860-26 | 4860-30 | 4860-36 | 4860-48 | 4860-60 | DAT 0711  |
| 6060 | 1530mm | 1530mm | 6060-18 | 6060-22 | 6060-26 | 6060-30 | 6060-36 | 6060-48 | 6060-60 | DAT 0712  |

The sizes shown are those that are commonly requested. The POLYVAULT system is available in depths from 470mm to 3000mm and clear openings from 400mm to 2500mm. Contact us for more information.

### UV STABILITY

MULTIduct™ exposed to accelerated UV Exposure consisted of a repetitive cycle of 4 hours of UV light (UVB-313 lamp) at 60°C followed by 4 hours condensation (UV light off) at 50°C for a total of 1000 hours.

| Specimen   | Average Weight Change (%) | Average Dimensional Changes (%) |           |           |
|--|---------------------------|---------------------------------|-----------|-----------|
|  |                           | Length                          | Width     | Thickness |
| Specimens exposed to 1000 hours of Accelerated UV Exposure | -0.04                     | < 0.05                          | No Change | No Change |

| Specimen           | Average Flexural Strength (psi) | Average change in Flexural Strength (%) |
|--------------------|---------------------------------|---|
| Unexposed Specimen | 1472                            |   |
| Exposed Specimen   | 1561                            | 6.1%                                    |

|          |            |
|----------|------------|
| DAT 0700 |            |
| V2.0     | 31/10/2012 |

# MONObox™ POLYVAULT

Preformed access chamber



**CLEAR OPENING**

**610mm** x | **2424**  
**610mm**

**VERTICAL LOADING**

When installed, meets the vertical loading requirements of EN124 Class B125 (12.5 tonnes) test load.

**PRODUCT DEPTHS**

| Depth: | Ref:    | Code:                    | Weight (kg) |                  |                 |
|--------|---------|--------------------------|-------------|------------------|-----------------|
|        |         |                          | chamber     | with base (HDPE) | with base (ABS) |
| 470mm  | 2424-18 | SYPV24-06100610-2418B000 | 18.92kg     | 23.72kg          | 20.14kg         |
| 570mm  | 2424-22 | SYPV24-06100610-2422B000 | 23.84kg     | 28.63kg          | 25.05kg         |
| 670mm  | 2424-26 | SYPV24-06100610-2426B000 | 27.79kg     | 32.59kg          | 29.01kg         |
| 770mm  | 2424-30 | SYPV24-06100610-2430B000 | 31.90kg     | 36.70kg          | 33.12kg         |
| 915mm  | 2424-36 | SYPV24-06100610-2436B000 | 38.48kg     | 43.28kg          | 39.70kg         |
| 1220mm | 2424-48 | SYPV24-06100610-2448B000 | 51.46kg     | 56.26kg          | 52.68kg         |
| 1525mm | 2424-60 | SYPV24-06100610-2460B000 | 64.45kg     | 69.25kg          | 65.67kg         |

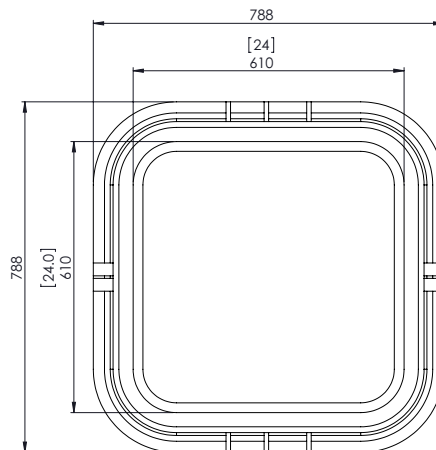
The sizes shown are those that are commonly requested within the 1824 range. The POLYVAULT system is available in depths from 470mm to 3000mm and clear openings from 400mm to 2500mm. Contact us for more information.

**MATERIAL PROPERTIES**

High Density Polyethylene (HDPE)

|  |            |                               |
|--|------------|-------------------------------|
| Tensile Strength                       | ISO 527-4  | 26.2MPA                       |
| Flexural Strength                      | ISO 14125  | 26.9MPA                       |
| Flexural Modulus                       | ISO 14125  | 1.09 GPA                      |
| Impact Strength                        | ISO 179    | 28 J/mm <sup>2</sup>          |
| Deflection Temperature Range (0.46MPA) | ISO 75-2   | 72.1 °C                       |
| Density (g/cm <sup>3</sup> )           | ISO 1183   | 0.95 - 0.98 g/cm <sup>3</sup> |
| Water Absorption                       | ISO 62     | 0.01%                         |
| Volume Resistivity                     | IEC 60093  | 1.00E +16                     |
| Fire Performance                       | UL 94      | HB                            |
| Limited Oxygen Index                   | ISO 4589-2 | 19%                           |

These are indicative figures. Materials can be formulated to achieve different properties subject to specification/ customer requirements



|          |            |
|----------|------------|
| DAT 0702 |            |
| V1.2     | 04/09/2012 |

# MONObox™ POLYVAULT

Preformed access chamber



**CLEAR OPENING**

**910mm** x **610mm** | **2436**

**VERTICAL LOADING**

When installed, meets the vertical loading requirements of EN124 Class B125 (12.5 tonnes) test load.

**PRODUCT DEPTHS**

| Depth: | Ref:    | Code:                    | Weight (kg) |                  |                 |
|--------|---------|--------------------------|-------------|------------------|-----------------|
|        |         |                          | chamber     | with base (HDPE) | with base (ABS) |
| 470mm  | 2436-18 | SYPV24-09100610-3618B000 | 23.72kg     | 30.92kg          | 27.38kg         |
| 570mm  | 2436-22 | SYPV24-09100610-3622B000 | 30.02kg     | 37.22kg          | 33.68kg         |
| 670mm  | 2436-26 | SYPV24-09100610-3626B000 | 35.36kg     | 42.56kg          | 39.02kg         |
| 770mm  | 2436-30 | SYPV24-09100610-3630B000 | 40.54kg     | 47.74kg          | 44.20kg         |
| 915mm  | 2436-36 | SYPV24-09100610-3636B000 | 48.40kg     | 55.60kg          | 52.06kg         |
| 1220mm | 2436-48 | SYPV24-09100610-3648B000 | 69.22kg     | 76.42kg          | 72.88kg         |
| 1525mm | 2436-60 | SYPV24-09100610-3660B000 | 86.05kg     | 93.25kg          | 89.71kg         |

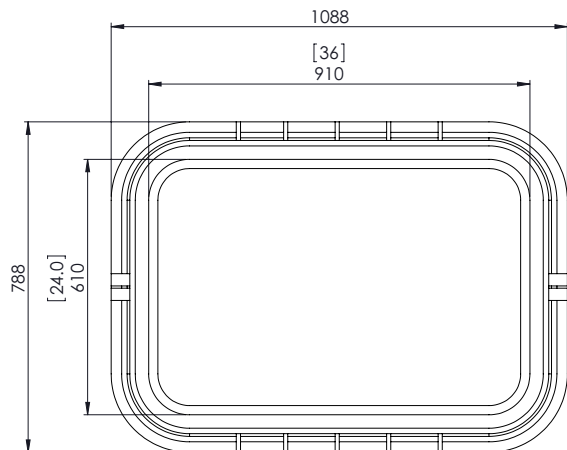
The sizes shown are those that are commonly requested within the 1824 range. The POLYVAULT system is available in depths from 470mm to 3000mm and clear openings from 400mm to 2500mm. Contact us for more information.

**MATERIAL PROPERTIES**

High Density Polyethylene (HDPE)

|  |            |                               |
|--|------------|-------------------------------|
| Tensile Strength                       | ISO 527-4  | 26.2MPA                       |
| Flexural Strength                      | ISO 14125  | 26.9MPA                       |
| Flexural Modulus                       | ISO 14125  | 1.09 GPA                      |
| Impact Strength                        | ISO 179    | 28 J/mm <sup>2</sup>          |
| Deflection Temperature Range (0.46MPA) | ISO 75-2   | 72.1 °C                       |
| Density (g/cm <sup>3</sup> )           | ISO 1183   | 0.95 - 0.98 g/cm <sup>3</sup> |
| Water Absorption                       | ISO 62     | 0.01%                         |
| Volume Resistivity                     | IEC 60093  | 1.00E +16                     |
| Fire Performance                       | UL 94      | HB                            |
| Limited Oxygen Index                   | ISO 4589-2 | 19%                           |

These are indicative figures. Materials can be formulated to achieve different properties subject to specification/ customer requirements



|          |            |
|----------|------------|
| DAT 0703 |            |
| V1.2     | 04/09/2012 |

# MONObox™ POLYVAULT

Preformed access chamber



**CLEAR OPENING**

**1220mm x 610mm** | **2448**

**VERTICAL LOADING**

When installed, meets the vertical loading requirements of EN124 Class B125 (12.5 tonnes) test load.

**PRODUCT DEPTHS**

| Depth: | Ref:    | Code:                    | Weight (kg) |                  |                 |
|--------|---------|--------------------------|-------------|------------------|-----------------|
|        |         |                          | chamber     | with base (HDPE) | with base (ABS) |
| 470mm  | 2448-18 | SYPV24-12200610-4818B000 | 43.07kg     | 52.67kg          | 47.95kg         |
| 570mm  | 2448-22 | SYPV24-12200610-4822B000 | 64.27kg     | 73.86kg          | 69.14kg         |
| 670mm  | 2448-26 | SYPV24-12200610-4826B000 | 70.43kg     | 80.02kg          | 75.30kg         |
| 770mm  | 2448-30 | SYPV24-12200610-4830B000 | 76.90kg     | 86.50kg          | 81.78kg         |
| 915mm  | 2448-36 | SYPV24-12200610-4836B000 | 87.42kg     | 97.02kg          | 92.30kg         |
| 1220mm | 2448-48 | SYPV24-12200610-4848B000 | 125.26kg    | 134.86kg         | 130.14kg        |
| 1525mm | 2448-60 | SYPV24-12200610-4860B000 | 159.09kg    | 168.69kg         | 163.97kg        |

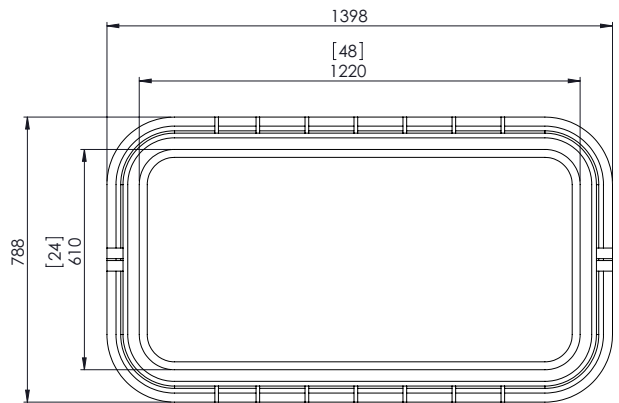
The sizes shown are those that are commonly requested within the 1824 range. The POLYVAULT system is available in depths from 470mm to 3000mm and clear openings from 400mm to 2500mm. Contact us for more information.

**MATERIAL PROPERTIES**

High Density Polyethylene (HDPE)

|  |            |                               |
|--|------------|-------------------------------|
| Tensile Strength                       | ISO 527-4  | 26.2MPa                       |
| Flexural Strength                      | ISO 14125  | 26.9MPa                       |
| Flexural Modulus                       | ISO 14125  | 1.09 GPA                      |
| Impact Strength                        | ISO 179    | 28 J/mm <sup>2</sup>          |
| Deflection Temperature Range (0.46MPa) | ISO 75-2   | 72.1 °C                       |
| Density (g/cm <sup>3</sup> )           | ISO 1183   | 0.95 - 0.98 g/cm <sup>3</sup> |
| Water Absorption                       | ISO 62     | 0.01%                         |
| Volume Resistivity                     | IEC 60093  | 1.00E +16                     |
| Fire Performance                       | UL 94      | HB                            |
| Limited Oxygen Index                   | ISO 4589-2 | 19%                           |

These are indicative figures. Materials can be formulated to achieve different properties subject to specification/ customer requirements



|          |            |
|----------|------------|
| DAT 0704 |            |
| V1.2     | 04/09/2012 |

# MONObox™ POLYVAULT

Preformed access chamber



**CLEAR OPENING**

**1530mm x 610mm** | **2460**

**VERTICAL LOADING**

When installed, meets the vertical loading requirements of EN124 Class B125 (12.5 tonnes) test load.

**PRODUCT DEPTHS**

| Depth: | Ref:    | Code:                    | Weight (kg) |                  |                 |
|--------|---------|--------------------------|-------------|------------------|-----------------|
|        |         |                          | chamber     | with base (HDPE) | with base (ABS) |
| 470mm  | 2460-18 | SYPV24-15300610-6018B000 | 52.52kg     | 64.52kg          | 58.62kg         |
| 570mm  | 2460-22 | SYPV24-15300610-6022B000 | 79.37kg     | 91.37kg          | 85.47kg         |
| 670mm  | 2460-26 | SYPV24-15300610-6026B000 | 86.70kg     | 98.70kg          | 92.80kg         |
| 770mm  | 2460-30 | SYPV24-15300610-6030B000 | 94.35kg     | 106.35kg         | 100.45kg        |
| 915mm  | 2460-36 | SYPV24-15300610-6036B000 | 106.63kg    | 118.63kg         | 112.73kg        |
| 1220mm | 2460-48 | SYPV24-15300610-6048B000 | 152.47kg    | 164.47kg         | 158.57kg        |
| 1525mm | 2460-60 | SYPV24-15300610-6060B000 | 194.31kg    | 206.31kg         | 200.41kg        |

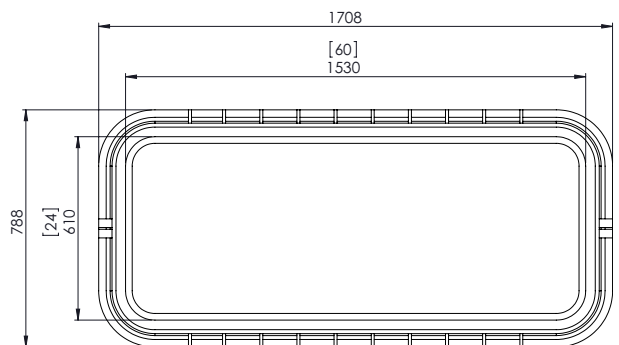
The sizes shown are those that are commonly requested within the 1824 range. The POLYVAULT system is available in depths from 470mm to 3000mm and clear openings from 400mm to 2500mm. Contact us for more information.

**MATERIAL PROPERTIES**

High Density Polyethylene (HDPE)

|  |            |                               |
|--|------------|-------------------------------|
| Tensile Strength                       | ISO 527-4  | 26.2MPA                       |
| Flexural Strength                      | ISO 14125  | 26.9MPA                       |
| Flexural Modulus                       | ISO 14125  | 1.09 GPA                      |
| Impact Strength                        | ISO 179    | 28 J/mm <sup>2</sup>          |
| Deflection Temperature Range (0.46MPA) | ISO 75-2   | 72.1 °C                       |
| Density (g/cm <sup>3</sup> )           | ISO 1183   | 0.95 - 0.98 g/cm <sup>3</sup> |
| Water Absorption                       | ISO 62     | 0.01%                         |
| Volume Resistivity                     | IEC 60093  | 1.00E +16                     |
| Fire Performance                       | UL 94      | HB                            |
| Limited Oxygen Index                   | ISO 4589-2 | 19%                           |

These are indicative figures. Materials can be formulated to achieve different properties subject to specification/ customer requirements



|          |            |
|----------|------------|
| DAT 0706 |            |
| V1.2     | 04/09/2012 |

# MONObox™ POLYVAULT

Preformed access chamber



**CLEAR OPENING**

**910mm** x | **3636**  
**910mm**

**VERTICAL LOADING**

When installed, meets the vertical loading requirements of EN124 Class B125 (12.5 tonnes) test load.

**PRODUCT DEPTHS**

| Depth: | Ref:    | Code:                    | Weight (kg) |                  |                 |
|--------|---------|--------------------------|-------------|------------------|-----------------|
|        |         |                          | chamber     | with base (HDPE) | with base (ABS) |
| 470mm  | 3636-18 | SYPV36-09100910-3618B000 | 38.68kg     | 49.48kg          | 44.17kg         |
| 570mm  | 3636-22 | SYPV36-09100910-3622B000 | 55.92kg     | 66.72kg          | 61.41kg         |
| 670mm  | 3636-26 | SYPV36-09100910-3626B000 | 62.05kg     | 72.84kg          | 67.53kg         |
| 770mm  | 3636-30 | SYPV36-09100910-3630B000 | 68.49kg     | 79.29kg          | 73.98kg         |
| 915mm  | 3636-36 | SYPV36-09100910-3636B000 | 78.95kg     | 89.75kg          | 84.44kg         |
| 1220mm | 3636-48 | SYPV36-09100910-3648B000 | 112.77kg    | 123.57kg         | 118.26kg        |
| 1525mm | 3636-60 | SYPV36-09100910-3660B000 | 142.58kg    | 153.38kg         | 148.07kg        |

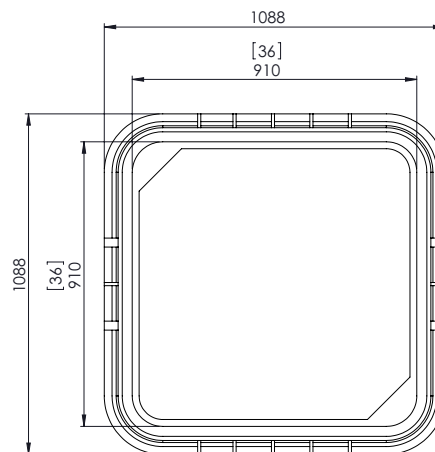
The sizes shown are those that are commonly requested within the 1824 range. The POLYVAULT system is available in depths from 470mm to 3000mm and clear openings from 400mm to 2500mm. Contact us for more information.

**MATERIAL PROPERTIES**

High Density Polyethylene (HDPE)

|  |            |                               |
|--|------------|-------------------------------|
| Tensile Strength                       | ISO 527-4  | 26.2MPa                       |
| Flexural Strength                      | ISO 14125  | 26.9MPa                       |
| Flexural Modulus                       | ISO 14125  | 1.09 GPA                      |
| Impact Strength                        | ISO 179    | 28 J/mm <sup>2</sup>          |
| Deflection Temperature Range (0.46MPa) | ISO 75-2   | 72.1 °C                       |
| Density (g/cm <sup>3</sup> )           | ISO 1183   | 0.95 - 0.98 g/cm <sup>3</sup> |
| Water Absorption                       | ISO 62     | 0.01%                         |
| Volume Resistivity                     | IEC 60093  | 1.00E +16                     |
| Fire Performance                       | UL 94      | HB                            |
| Limited Oxygen Index                   | ISO 4589-2 | 19%                           |

These are indicative figures. Materials can be formulated to achieve different properties subject to specification/ customer requirements



|          |            |
|----------|------------|
| DAT 0707 |            |
| V1.2     | 04/09/2012 |

# MONObox™ POLYVAULT

Preformed access chamber



**CLEAR OPENING**

**1220mm x 910mm** | **3648**

**VERTICAL LOADING**

When installed, meets the vertical loading requirements of EN124 Class B125 (12.5 tonnes) test load.

**PRODUCT DEPTHS**

| Depth: | Ref:    | Code:                    | Weight (kg) |                  |                 |
|--------|---------|--------------------------|-------------|------------------|-----------------|
|        |         |                          | chamber     | with base (HDPE) | with base (ABS) |
| 470mm  | 3648-18 | SYPV36-12200910-4818B000 | 50.87kg     | 65.27kg          | 58.19kg         |
| 570mm  | 3648-22 | SYPV36-12200910-4822B000 | 74.44kg     | 88.84kg          | 81.76kg         |
| 670mm  | 3648-26 | SYPV36-12200910-4826B000 | 82.33kg     | 96.73kg          | 89.65kg         |
| 770mm  | 3648-30 | SYPV36-12200910-4830B000 | 90.54kg     | 104.94kg         | 97.86kg         |
| 915mm  | 3648-36 | SYPV36-12200910-4836B000 | 103.66kg    | 118.06kg         | 110.98kg        |
| 1220mm | 3648-48 | SYPV36-12200910-4848B000 | 147.34kg    | 161.74kg         | 154.66kg        |
| 1525mm | 3648-60 | SYPV36-12200910-4860B000 | 187.01kg    | 201.41kg         | 194.33kg        |

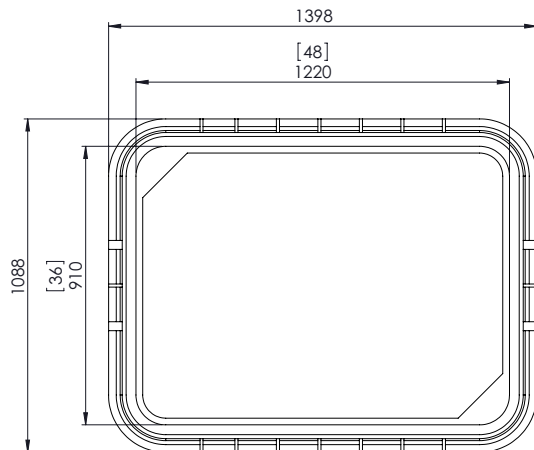
The sizes shown are those that are commonly requested within the 1824 range. The POLYVAULT system is available in depths from 470mm to 3000mm and clear openings from 400mm to 2500mm. Contact us for more information.

**MATERIAL PROPERTIES**

High Density Polyethylene (HDPE)

|  |            |                               |
|--|------------|-------------------------------|
| Tensile Strength                       | ISO 527-4  | 26.2MPA                       |
| Flexural Strength                      | ISO 14125  | 26.9MPA                       |
| Flexural Modulus                       | ISO 14125  | 1.09 GPA                      |
| Impact Strength                        | ISO 179    | 28 J/mm <sup>2</sup>          |
| Deflection Temperature Range (0.46MPA) | ISO 75-2   | 72.1 °C                       |
| Density (g/cm <sup>3</sup> )           | ISO 1183   | 0.95 - 0.98 g/cm <sup>3</sup> |
| Water Absorption                       | ISO 62     | 0.01%                         |
| Volume Resistivity                     | IEC 60093  | 1.00E +16                     |
| Fire Performance                       | UL 94      | HB                            |
| Limited Oxygen Index                   | ISO 4589-2 | 19%                           |

These are indicative figures. Materials can be formulated to achieve different properties subject to specification/ customer requirements



|          |            |
|----------|------------|
| DAT 0708 |            |
| V1.2     | 04/09/2012 |

# MONObox™ POLYVAULT

Preformed access chamber



**CLEAR OPENING**

**1530mm x 910mm** | **3660**

**VERTICAL LOADING**

When installed, meets the vertical loading requirements of EN124 Class B125 (12.5 tonnes) test load.

**PRODUCT DEPTHS**

| Depth: | Ref:    | Code:                    | Weight (kg) |                  |                 |
|--------|---------|--------------------------|-------------|------------------|-----------------|
|        |         |                          | chamber     | with base (HDPE) | with base (ABS) |
| 470mm  | 3660-18 | SYPV36-15300910-6018B000 | 57.00kg     | 75.00kg          | 66.15kg         |
| 570mm  | 3660-22 | SYPV36-15300910-6022B000 | 85.49kg     | 103.48kg         | 94.63kg         |
| 670mm  | 3660-26 | SYPV36-15300910-6026B000 | 93.82kg     | 111.81kg         | 102.96kg        |
| 770mm  | 3660-30 | SYPV36-15300910-6030B000 | 102.46kg    | 120.46kg         | 111.61kg        |
| 915mm  | 3660-36 | SYPV36-15300910-6036B000 | 116.23kg    | 134.23kg         | 125.38kg        |
| 1220mm | 3660-48 | SYPV36-15300910-6048B000 | 165.70kg    | 183.70kg         | 174.85kg        |
| 1525mm | 3660-60 | SYPV36-15300910-6060B000 | 211.17kg    | 229.17kg         | 220.32kg        |

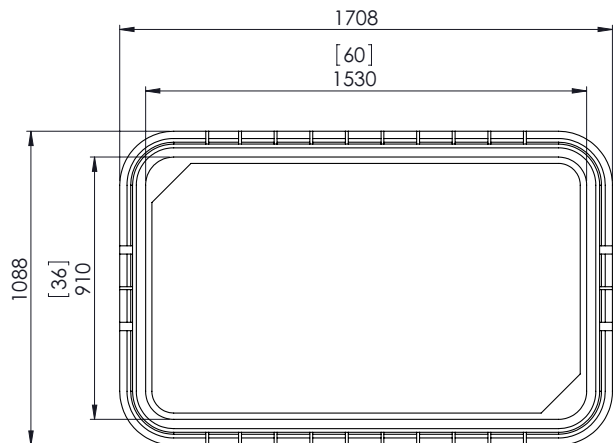
The sizes shown are those that are commonly requested within the 1824 range. The POLYVAULT system is available in depths from 470mm to 3000mm and clear openings from 400mm to 2500mm. Contact us for more information.

**MATERIAL PROPERTIES**

High Density Polyethylene (HDPE)

|  |            |                               |
|--|------------|-------------------------------|
| Tensile Strength                       | ISO 527-4  | 26.2MPa                       |
| Flexural Strength                      | ISO 14125  | 26.9MPa                       |
| Flexural Modulus                       | ISO 14125  | 1.09 GPa                      |
| Impact Strength                        | ISO 179    | 28 J/mm <sup>2</sup>          |
| Deflection Temperature Range (0.46MPa) | ISO 75-2   | 72.1 °C                       |
| Density (g/cm <sup>3</sup> )           | ISO 1183   | 0.95 - 0.98 g/cm <sup>3</sup> |
| Water Absorption                       | ISO 62     | 0.01%                         |
| Volume Resistivity                     | IEC 60093  | 1.00E +16                     |
| Fire Performance                       | UL 94      | HB                            |
| Limited Oxygen Index                   | ISO 4589-2 | 19%                           |

These are indicative figures. Materials can be formulated to achieve different properties subject to specification/ customer requirements



|          |            |
|----------|------------|
| DAT 0709 |            |
| V1.2     | 04/09/2012 |



# MONObox™ POLYVAULT

Preformed access chamber



**CLEAR OPENING**

**1220mm x 1220mm** | **4848**

**VERTICAL LOADING**

When installed, meets the vertical loading requirements of EN124 Class B125 (12.5 tonnes) test load.

**PRODUCT DEPTHS**

| Depth: | Ref:    | Code:                    | Weight (kg) |                  |                 |
|--------|---------|--------------------------|-------------|------------------|-----------------|
|        |         |                          | chamber     | with base (HDPE) | with base (ABS) |
| 470mm  | 4848-18 | SYPV48-12201220-4818B000 | 68.19kg     | 87.39kg          | 77.95kg         |
| 570mm  | 4848-22 | SYPV48-12201220-4822B000 | 106.26kg    | 125.46kg         | 116.02kg        |
| 670mm  | 4848-26 | SYPV48-12201220-4826B000 | 114.59kg    | 133.79kg         | 124.35kg        |
| 770mm  | 4848-30 | SYPV48-12201220-4830B000 | 123.56kg    | 142.76kg         | 133.32kg        |
| 915mm  | 4848-36 | SYPV48-12201220-4836B000 | 138.61kg    | 157.81kg         | 148.37kg        |
| 1220mm | 4848-48 | SYPV48-12201220-4848B000 | 197.98kg    | 217.18kg         | 207.74kg        |
| 1525mm | 4848-60 | SYPV48-12201220-4860B000 | 253.36kg    | 272.56kg         | 263.12kg        |

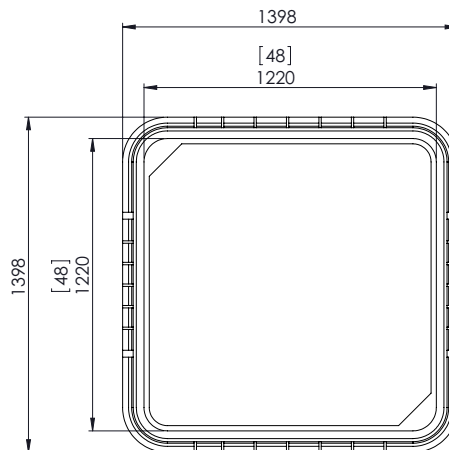
The sizes shown are those that are commonly requested within the 1824 range. The POLYVAULT system is available in depths from 470mm to 3000mm and clear openings from 400mm to 2500mm. Contact us for more information.

**MATERIAL PROPERTIES**

High Density Polyethylene (HDPE)

|  |            |                               |
|--|------------|-------------------------------|
| Tensile Strength                       | ISO 527-4  | 26.2MPa                       |
| Flexural Strength                      | ISO 14125  | 26.9MPa                       |
| Flexural Modulus                       | ISO 14125  | 1.09 GPa                      |
| Impact Strength                        | ISO 179    | 28 J/mm <sup>2</sup>          |
| Deflection Temperature Range (0.46MPa) | ISO 75-2   | 72.1 °C                       |
| Density (g/cm <sup>3</sup> )           | ISO 1183   | 0.95 - 0.98 g/cm <sup>3</sup> |
| Water Absorption                       | ISO 62     | 0.01%                         |
| Volume Resistivity                     | IEC 60093  | 1.00E +16                     |
| Fire Performance                       | UL 94      | HB                            |
| Limited Oxygen Index                   | ISO 4589-2 | 19%                           |

These are indicative figures. Materials can be formulated to achieve different properties subject to specification/ customer requirements



|          |            |
|----------|------------|
| DAT 0710 |            |
| V1.2     | 04/09/2012 |

# MONObox™ POLYVAULT

Preformed access chamber



**CLEAR OPENING**

**1530mm x 1220mm** | **4860**

**VERTICAL LOADING**

When installed, meets the vertical loading requirements of EN124 Class B125 (12.5 tonnes) test load.

**PRODUCT DEPTHS**

| Depth: | Ref:    | Code:                    | Weight (kg) |                  |                 |
|--------|---------|--------------------------|-------------|------------------|-----------------|
|        |         |                          | chamber     | with base (HDPE) | with base (ABS) |
| 470mm  | 4860-18 | SYPV48-15301220-6018B000 | 77.31kg     | 101.31kg         | 89.51kg         |
| 570mm  | 4860-22 | SYPV48-15301220-6022B000 | 120.98kg    | 144.97kg         | 133.17kg        |
| 670mm  | 4860-26 | SYPV48-15301220-6026B000 | 130.40kg    | 154.40kg         | 142.60kg        |
| 770mm  | 4860-30 | SYPV48-15301220-6030B000 | 140.48kg    | 164.48kg         | 152.68kg        |
| 915mm  | 4860-36 | SYPV48-15301220-6036B000 | 157.18kg    | 181.18kg         | 169.38kg        |
| 1220mm | 4860-48 | SYPV48-15301220-6048B000 | 224.35kg    | 248.35kg         | 236.55kg        |
| 1525mm | 4860-60 | SYPV48-15301220-6060B000 | 287.52kg    | 331.52kg         | 299.72kg        |

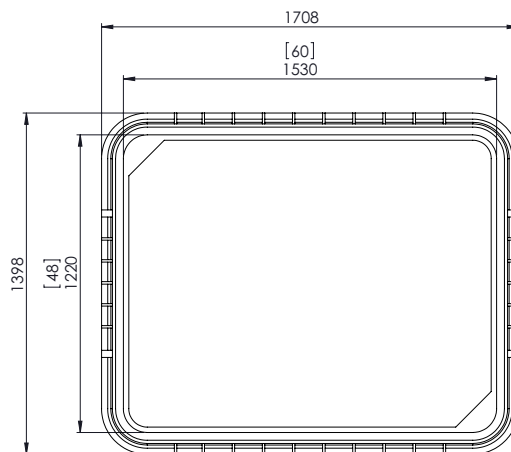
The sizes shown are those that are commonly requested within the 1824 range. The POLYVAULT system is available in depths from 470mm to 3000mm and clear openings from 400mm to 2500mm. Contact us for more information.

**MATERIAL PROPERTIES**

High Density Polyethylene (HDPE)

|  |            |                               |
|--|------------|-------------------------------|
| Tensile Strength                       | ISO 527-4  | 26.2MPA                       |
| Flexural Strength                      | ISO 14125  | 26.9MPA                       |
| Flexural Modulus                       | ISO 14125  | 1.09 GPA                      |
| Impact Strength                        | ISO 179    | 28 J/mm <sup>2</sup>          |
| Deflection Temperature Range (0.46MPA) | ISO 75-2   | 72.1 °C                       |
| Density (g/cm <sup>3</sup> )           | ISO 1183   | 0.95 - 0.98 g/cm <sup>3</sup> |
| Water Absorption                       | ISO 62     | 0.01%                         |
| Volume Resistivity                     | IEC 60093  | 1.00E +16                     |
| Fire Performance                       | UL 94      | HB                            |
| Limited Oxygen Index                   | ISO 4589-2 | 19%                           |

These are indicative figures. Materials can be formulated to achieve different properties subject to specification/ customer requirements



|          |            |
|----------|------------|
| DAT 0711 |            |
| V1.2     | 04/09/2012 |

# MONObox™ POLYVAULT

Preformed access chamber



**CLEAR OPENING**

**1530mm x 1530mm** | **6060**

**VERTICAL LOADING**

When installed, meets the vertical loading requirements of EN124 Class B125 (12.5 tonnes) test load.

**PRODUCT DEPTHS**

| Depth: | Ref:    | Code:                    | Weight (kg) |                  |                 |
|--------|---------|--------------------------|-------------|------------------|-----------------|
|        |         |                          | chamber     | with base (HDPE) | with base (ABS) |
| 470mm  | 6060-18 | SYPV60-15301530-6018B000 | 88.91kg     | 118.92kg         | 104.17kg        |
| 570mm  | 6060-22 | SYPV60-15301530-6022B000 | 139.22kg    | 169.22kg         | 154.47kg        |
| 670mm  | 6060-26 | SYPV60-15301530-6026B000 | 151.58kg    | 181.58kg         | 166.83kg        |
| 770mm  | 6060-30 | SYPV60-15301530-6030B000 | 163.30kg    | 193.30kg         | 178.55kg        |
| 915mm  | 6060-36 | SYPV60-15301530-6036B000 | 181.21kg    | 211.21kg         | 196.46kg        |
| 1220mm | 6060-48 | SYPV60-15301530-6048B000 | 258.61kg    | 288.61kg         | 273.86kg        |
| 1525mm | 6060-60 | SYPV60-15301530-6060B000 | 331.70kg    | 361.70kg         | 346.95kg        |

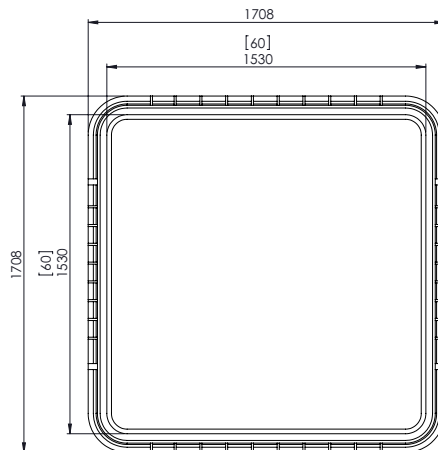
The sizes shown are those that are commonly requested within the 1824 range. The POLYVAULT system is available in depths from 470mm to 3000mm and clear openings from 400mm to 2500mm. Contact us for more information.

**MATERIAL PROPERTIES**

High Density Polyethylene (HDPE)

|  |            |                               |
|--|------------|-------------------------------|
| Tensile Strength                       | ISO 527-4  | 26.2MPa                       |
| Flexural Strength                      | ISO 14125  | 26.9MPa                       |
| Flexural Modulus                       | ISO 14125  | 1.09 GPa                      |
| Impact Strength                        | ISO 179    | 28 J/mm <sup>2</sup>          |
| Deflection Temperature Range (0.46MPa) | ISO 75-2   | 72.1 °C                       |
| Density (g/cm <sup>3</sup> )           | ISO 1183   | 0.95 - 0.98 g/cm <sup>3</sup> |
| Water Absorption                       | ISO 62     | 0.01%                         |
| Volume Resistivity                     | IEC 60093  | 1.00E +16                     |
| Fire Performance                       | UL 94      | HB                            |
| Limited Oxygen Index                   | ISO 4589-2 | 19%                           |

These are indicative figures. Materials can be formulated to achieve different properties subject to specification/ customer requirements



|          |            |
|----------|------------|
| DAT 0712 |            |
| V1.2     | 04/09/2012 |